

China supplier cast iron viton seat 10 inch wafer type butterfly valve electric

Quick Details

Standard or Nonstandard:

Standard

Structure:

Butterfly

Pressure:

Medium Pressure

Power:

electric

Material:

ductile iron

Temperature of Media:

Medium Temperature

Media:

Water

Port Size:

customized

Place of Origin:

Liaoning, China (Mainland)

Model Number:

D341- 16Q

Brand Name:

TKFM

Application:

General

Connection:

flange, wafer

O-ring:

NBR/ EPDM

Operation:

Electric actuator

Body:

cast iron

Port size:

DN50- DN450

Stem:

2Cr13

seal ring:

Viton seat

bushing:

Bronze

shell:

stainless steel 410/ stainless steel 431

Product name:

Packaging & Delivery

Packaging Details

export standard plywood package

Delivery Time

Shipped in 30 days after payment

Valve Standard:

Comply with ISO 5752/BS 5155/BS EN 593

Pressure Temperature Ratings

Work Pressure: 16 bar

Testing Pressure: Shell 24 bar

Seat: 17.6 bar

Working Temperature: -20°C to 110°C EPDM Seat -10°C to

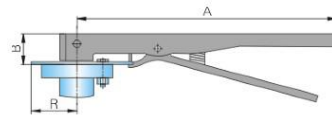
80°C NBR Seat

Suitable Media: Water, Oil & Gas

Part	Material	ASTM	
Body	Cast iron	A216 class B	
	Ductile iron	A536 GR. 65-45-12	
Disc	Ductile iron	A536 GR. 65-45-12	
	Bronze	B148 C95400	
	Stainless steel 304	A351 CF-8	
Shell	Stainless steel 410	A351 CF-8M	
	Stainless steel 413	A276 S41000	
Seal ring	EPDM/NBR		
O-ring	EPDM/NBR		
Bushing	PTFE	B62 C83600	
	Bronze		

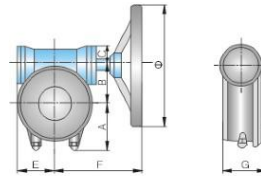
Out- form size and weight of handle actuator

(mm)Aperture of applicable butterfly valve	Dimension (mm)			Weight (kg)
	A	B	R	
50-100	266.7	32	51	0.5
125-150	345	32	51	0.8
200-300	353	45	76.5	1.3



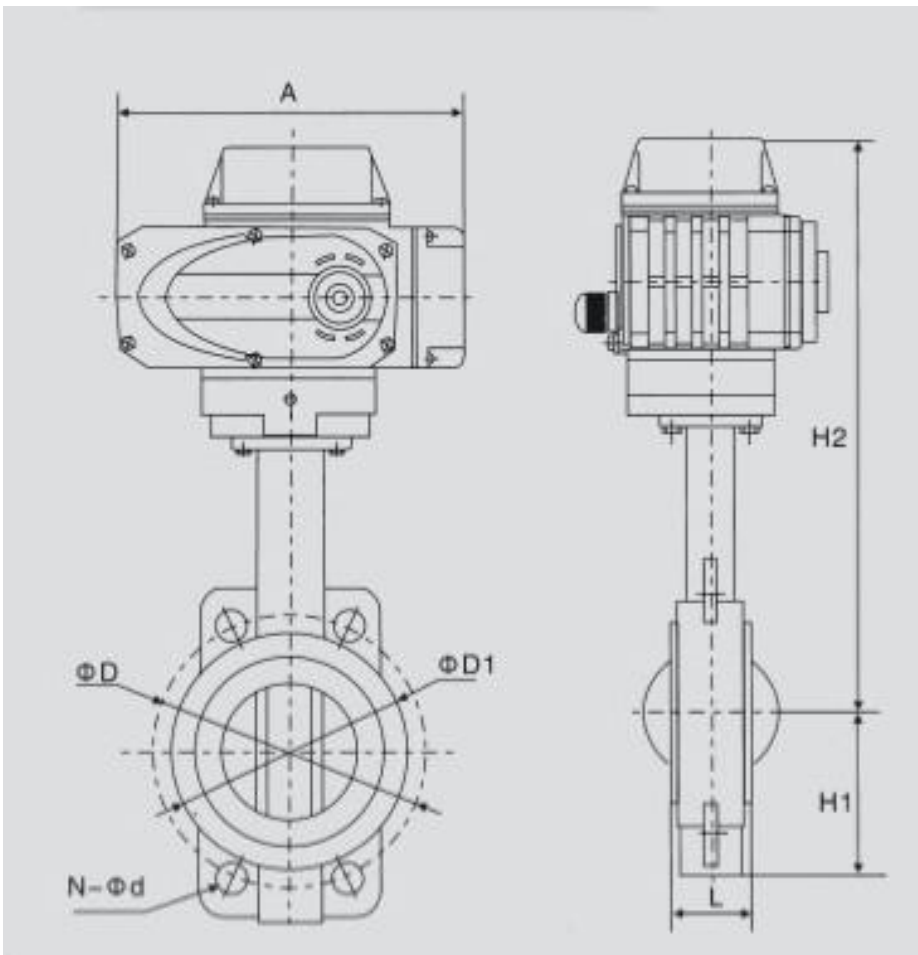
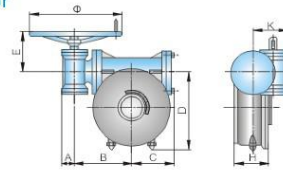
Out-form size and weight of worm gear & worm actuator

Type	(mm)Aperture of applicable butterfly valve	Dimension (mm)						Weight (kg)
		A	B	C	E	F	G	
3D-15	50-150	64	48	31	59	121	73	6
3D-50	200-250	80	70	39	78	163	89	8.5
3D-120	300-350	98	95	44	98	193	98	18



Out-form size and weight of worm gear & worm second stage actuator

Type	(mm)Aperture of applicable butterfly valve	Dimension (mm)								Weight (kg)
		A	B	C	D	E	Φ	H	K	
3D-30/250	400-450	57	178	121	220	174	300	125	112	30
3D-30/400	500-600	57	221	142	274	174	300	145	112	72
3D-60/800	700-800	67	244	183	351	165	400	157	143	133



DN50–350 Out - form size and weight of butterfly valve electric actuator

Type	(mm) Aperture of applicable butterfly valve	(N.m) Maximum output torque	(r/min) Output speed	(kw) Power of motor	(t) open–close time	Dimension (mm)								Weight (kg)
						A	B	C	D	E	F	G	d	
LQ5-1	50–80	50	1	0.016	15	258	109	76	162	80	125	187	185	15
LQ10-1	100	100	1	0.025	15	258	109	76	162	80	125	187	185	15
LQ20-1	125–150	200	1	0.06	15	258	109	76	162	80	125	187	185	15
LQ40-1	200	400	1	0.09	15	325	163	110	235	100	165	205	280	35
LQ80-1	250–300	800	1	0.18	15	325	163	110	235	100	165	205	280	35

