

Butt Weld Type Metallic Hard Sealing Butterfly Valve

Product Description

Buy the butt weld type metallic hard sealing butterfly valve at a discount here with our professional manufacturers and suppliers in China. with the aid of advanced technology and equipment, we can assure you of its reliable performance and long durability.

Butt Weld Type Metallic Hard Sealing Butterfly Valve

Parameter

TKFM

The Taishan quality, technology cast.



Butt Weld Type Metallic Hard Sealing Butterfly Valve

Property Specification:

Purpose and Characteristic

This kind of butterfly valve is suitable for high temperature, high pressure, fireproof, jacket etc. pipe as start and stop or adjust medium, the main characteristic as below:

1. Compact configuration, tiny bulk, light and operate skillfully and conveniently.
2. It adopts three-dimensional eccentric elasticity or multiple layers hard sealing configuration, the hermetic capability can reach to zero leakage.
3. This kind of valve with no flange, which makes pipe elegantly and binding up conveniently.
4. It has characteristic of high temperature resistant, high pressure resistant, antiseptic, wearable etc.

Drive Type:

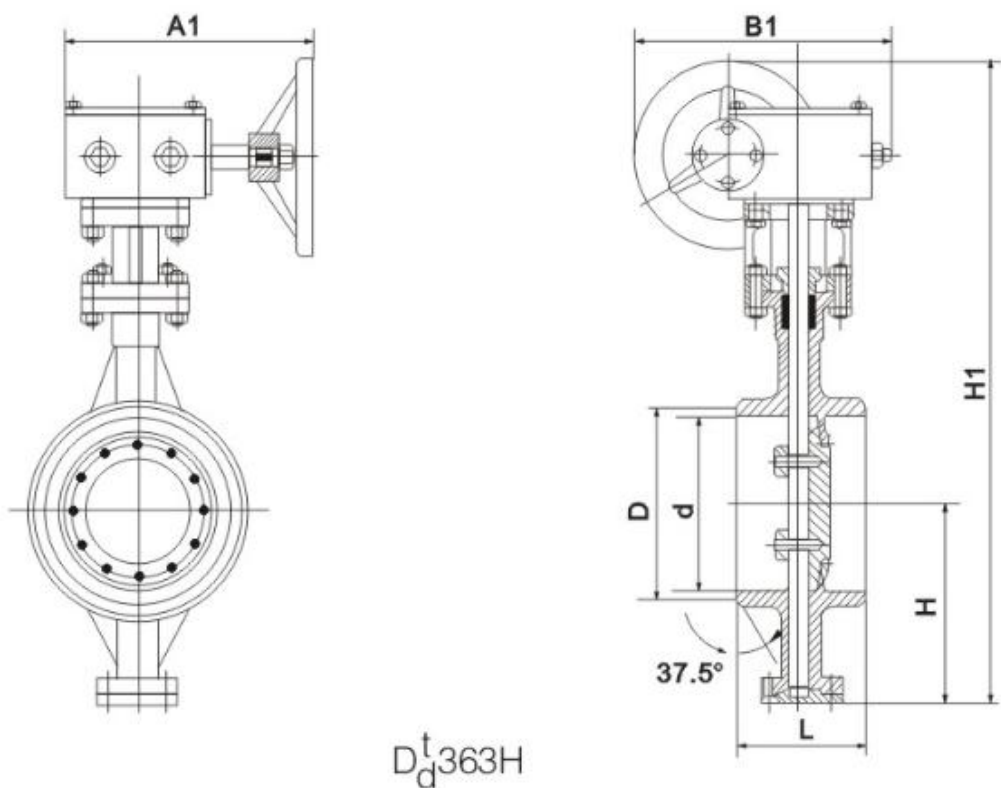
Worm wheel drive, pneumatic drive, electric drive

Adoption Standard

Jointing dimension: ANSI B16.25, DIN2559

Structure length: API 1609, DIN3202

Pressure test: API 598



Main Technology Parameter

Nominal Diameter	DN(mm)	50 – 700				
Nominal Pressure	PN(MPa)	0.6	1.0	1.6	2.5	4.0
Test Pressure Ps(MPa)	Shell Test	0.9	1.5	2.4	3.75	6.0
	Seal Test	0.66	1.1	1.76	2.75	4.4
	Gas Seal Test	0.6	0.6	0.6	0.6	0.6
Appropriate Medium		Water, steam, oil, acid corrosive and so on.				
Appropriate Temperature		Carben steel: -29 ~ 425°C Stainless steel: -40 ~ 600°C				

Material for Main Parts

Parts Name	Material
Body	Cast steel, stainless steel, Cr.Mo. Steel and ad hoc material
Disc	Cast steel, Alloy steel, Stainless steel, Cr.Mo. Steel and ad hoc material
Seal ring	Stainless steel, resist grind material
Stem	2Cr13、 1Cr13 Stainless steel, Cr.Mo. Steel
Packing	Flexible graphite

Butt Weld Type Hard Sealing Butterfly Valve External Dimension

Diameter		External Dimension(Consult)							Weight (kg)
mm	inch	L	D	d	H	H ₁	A	B	
Nominal Pressure: PN0.6MPa									
600	24	390	636	602	499	1280	570	660	450
700	28	430	726	692	566	1480	750	550	660
800	32	470	826	792	632	1608	750	550	780
900	36	510	926	892	693	1857	750	550	820
1000	40	550	1028	992	757	2038	900	750	1460
1200	48	630	1228	1192	851	2237	1000	925	1590
1400	56	710	1428	1392	876	2411	1000	925	2185
1600	64	790	1628	1592	1095	2756	1000	925	3210
1800	72	870	1828	1792	1214	3093	1100	980	4090
2000	80	950	2028	1992	1332	3355	1100	980	5610
Nominal Pressure: PN1.0MPa									
600	24	390	636	602	499	1280	570	660	465
700	28	430	726	692	566	1480	750	550	680
800	32	470	826	792	632	1608	750	550	810
900	36	510	926	892	693	1857	750	550	860
1000	40	550	1028	992	757	2038	900	750	1625
1200	48	630	1228	1192	851	2237	1000	925	1770
1400	56	710	1428	1392	876	2411	1000	925	2425
1600	64	790	1628	1592	1095	2756	1000	925	3560
1800	72	870	1828	1792	1214	3093	1100	980	4545
2000	80	950	2028	1992	1332	3355	1100	980	6230
Nominal Pressure: PN1.6MPa									

80	3	180	90	78	90	356	180	200	27
100	4	190	110	96	100	375	180	200	34
125	5	200	135	121	113	401	180	200	41
150	6	210	161	146	130	450	270	280	43
200	8	230	222	202	205	545	400	425	81
250	10	250	278	254	235	630	400	425	102
300	12	270	330	303	275	715	450	560	132
350	14	290	382	351	309	817	450	560	164
400	16	310	432	398	346	923	535	580	193
450	18	330	484	450	392	1059	535	580	238
500	20	350	535	501	427	1126	535	580	302
600	24	390	636	602	509	1369	570	660	457
700	28	430	726	692	572	1492	750	550	810
800	32	470	826	792	638	1622	750	550	1093
900	36	510	926	892	700	1924	750	550	1410
1000	40	550	1028	992	765	2054	900	750	1870
1200	48	630	1228	1192	860	2259	1000	925	2082
1400	56	710	1428	1392	986	2610	1000	925	2850
1600	64	790	1628	1592	1106	2856	1000	925	4235
1800	72	870	1828	1792	1226	3121	1100	980	5346
2000	80	950	2028	1992	1345	3385	1100	980	7328

Diameter		External Dimension(Consult)							Weight (kg)
mm	inch	L	D	d	H	H ₁	A	B	
Nominal Pressure: PN2.5MPa									
80	3	180	90	78	90	356	180	200	38
100	4	190	110	96	106	387	180	200	40
125	5	200	135	121	122	413	180	200	60
150	6	210	161	146	136	459	270	280	65
200	8	230	222	202	215	585	400	425	85
250	10	250	278	254	247	649	400	425	135
300	12	270	330	303	288	771	450	560	175
350	14	290	382	351	333	929	450	560	195
400	16	310	432	398	359	993	535	580	295
450	18	330	484	450	405	1053	535	580	350
500	20	350	535	501	444	1245	535	580	510
600	24	390	636	602	521	1750	570	660	625
700	28	430	726	692	586	1519	750	550	925
800	32	470	826	792	659	1659	750	550	1260
900	36	510	926	892	720	1829	750	550	1790
1000	40	550	1028	992	780	1949	900	750	1940

1200	48	630	1228	1192	889	2243	1000	925	2810
1400	56	710	1428	1392	1000	2462	1000	925	3500
Nominal Pressure: PN4.0MPa									
80	3	180	90	78	108	330	180	200	39
100	4	190	110	96	108	392	180	200	50
125	5	200	135	120	120	414	180	200	75
150	6	210	161	145	135	494	270	280	100
200	8	230	222	200	202	578	400	425	135
250	10	250	278	252	235	673	400	425	190
300	12	270	330	301	280	793	450	560	240
350	14	290	382	351	315	921	450	560	320
400	16	310	432	398	355	1021	535	580	450
450	18	330	484	448	370	1143	535	580	500
500	20	350	535	495	420	1192	535	580	560
600	24	390	636	595	490	1327	570	660	720