

High Performance Three Eccentric Multiple Layers Butterfly Valve Wafer Type



Product Description

Buy the high performance three eccentric multiple layers butterfly valve wafer type at a discount here with our professional manufacturers and suppliers in China. with the aid of advanced technology and equipment, we can assure you of its reliable performance and long durability.

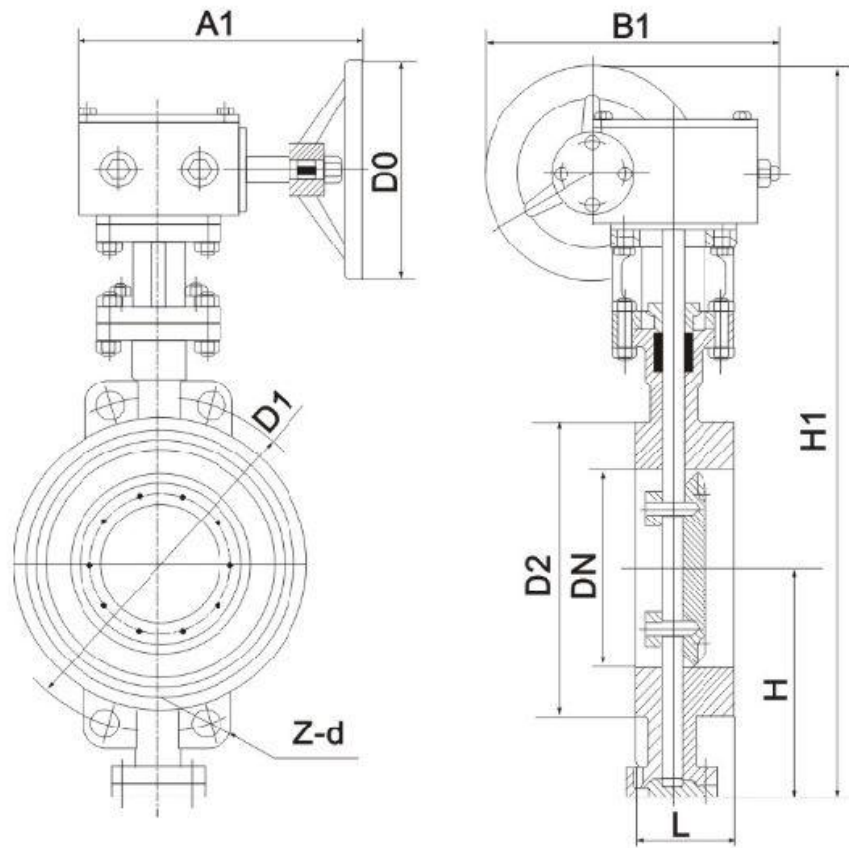
TKFM

The Taishan quality, technology cast.

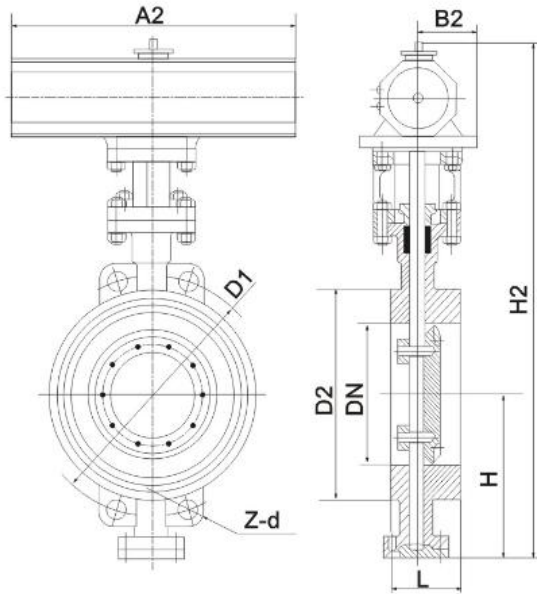


Dd 3 6
6 10
9 25
40
73H-16 C.P.R.V

Wafer Type Multiple Layers Metallic Hard Sealing Butterfly Valve



Dd373H



Dd673H

Nominal Diameter DN		Structure Length (standard) L	H	External Dimension(Consult)									Connection Dimension(Standard)				Weight (kg)
				Dd373H			Dd673H			Dd973H			PN0.6MPa		PN1.0MPa		
mm	inch			H ₁	A ₁	B ₁	H ₂	A ₂	B ₂	H ₃	A ₃	B ₃	D ₁	z-d	D ₁	z-d	Dd343H
50	2	43	112	350	180	200	625	245	72	530	250	255	110	4-14	125	4-18	12
65	2½	46	115	370	180	200	625	245	72	530	250	255	130	4-14	145	4-18	13
80	3	64	120	380	180	200	645	245	72	565	250	255	150	4-18	160	8-18	15
100	4	64	138	420	180	200	675	355	92	600	250	255	170	4-18	180	8-18	17
125	5	70	164	460	180	200	715	355	92	640	250	255	200	8-18	210	8-18	27
150	6	76	175	555	270	280	800	355	92	705	300	315	225	8-18	240	8-22	29
200	8	89	215	780	400	425	850	250	170	775	300	315	280	8-18	295	8-22	45
250	10	114	243	840	400	425	925	250	170	945	300	315	335	12-18	350	12-22	69
300	12	114	285	995	450	560	1035	450	220	1070	300	315	395	12-22	400	12-22	86
350	14	127	320	1050	450	560	1070	450	220	1140	300	315	445	12-22	460	16-22	122
400	16	140	350	1220	535	580	1190	450	220	1210	300	315	495	16-22	515	16-26	141
450	18	152	350	1280	535	580	1250	650	280	1335	575	714	550	16-22	565	20-26	191
500	20	152	380	1365	535	580	1290	650	280	1415	575	714	600	20-22	620	20-26	260
600	24	154	435	1460	570	660	1455	850	380	1605	656	810	705	20-26	725	20-30	380
700	28	165	480	1520	750	550	1585	850	380	1844	656	810	810	24-26	840	24-30	450
800	32	190	530	1710	750	550	1700	1250	380	2040	656	810	920	24-30	950	24-33	650
900	36	203	595	1810	750	550	1865	1250	380	2255	785	863	1020	24-30	1050	28-33	830
1000	40	216	650	1900	900	750	2015	1250	380	2380	785	863	1120	28-30	1160	28-36	1050
1200	48	254	775	2280	1000	925	2250	1250	380	2640	785	863	1340	32-33	1380	32-39	1400
1400	56	279	870	2450	1000	925				2886			1560	36-36	1590	36-42	1900
1600	64	318	1000	2730	1000	925				3156			1760	40-36	1820	40-48	2900
1800	72	356	1110	3020	1100	980				3421			1970	44-39	2020	44-48	4000
2000	80	406	1250	3270	1100	980				3685			2180	48-42	2230	48-48	5300

Annotate: Dd-Expresses the structure of multilayer seal