

Soft Sealing Butterfly Valve with EPDM NBR PTFE Seat



Product Description

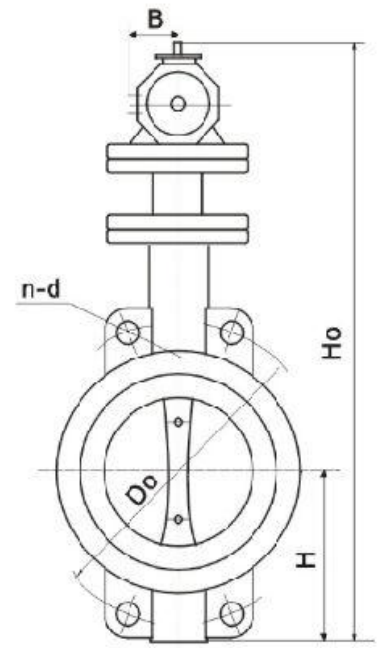
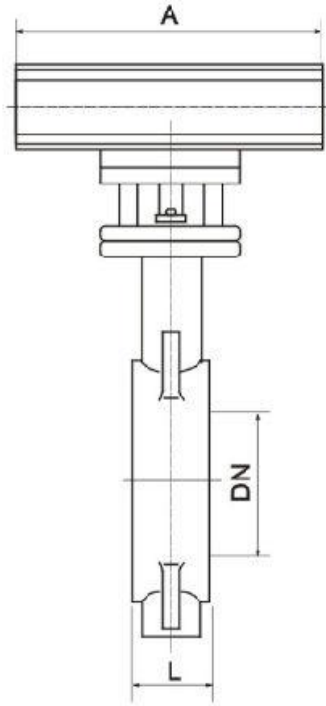
Buy the soft sealing butterfly valve with EPDM NBR PTFE seat at a discount here with our professional manufacturers and suppliers in China. with the aid of advanced technology and equipment, we can assure you of its reliable performance and long durability.

Parameter

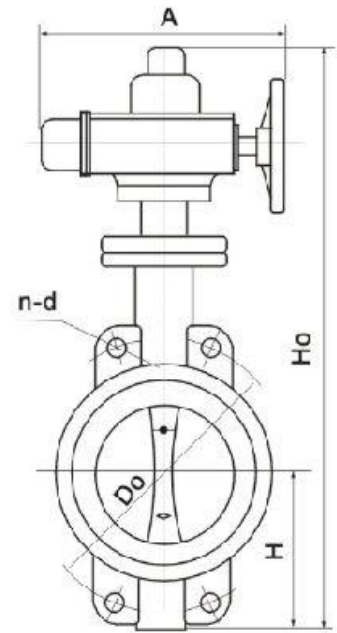
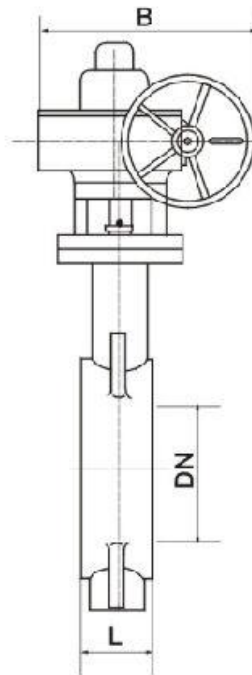
TKFM

The Taishan quality, technology cast.





D671X



D971X

D71^X_J-10⁶Z.Q.C.P.R Series Connection Dimensions

Nominal Diameter DN		Structure Length L (Standard)	External Dimension (Consult)				Connection Dimension (Standard)					
mm	inch		L	H	H ₀	A	B	0.6MPa		1.0MPa		1.6MPa
							D ₀	n-d	D ₀	n-d	D ₀	n-d
50	2	43	63	235	270	65	110	4-14	125	4-18	125	4-18
65	2 1/2	46	70	250	270	65	130	4-14	145	4-18	145	4-18
80	3	46	83	275	270	65	150	4-18	160	8-18	160	8-18
100	4	52	105	316	270	65	170	4-18	180	8-18	180	8-18
125	5	56	115	340	270	65	200	8-18	210	8-18	210	8-18
150	6	56	137	376	310	65	225	8-18	240	8-22	240	8-22

D71^X_J-10⁶Z.Q.C.P.R Series Connection Dimensions

Nominal Diameter DN		Structure Length L (Standard)	External Dimension (Consult)				Connection Dimension (Standard)					
mm	inch		L	H	H ₀	A	B	0.6MPa		1.0MPa		1.6MPa
							D ₀	n-d	D ₀	n-d	D ₀	n-d
50	2	43	63	306	180	200	110	4-14	125	4-18	125	4-18
65	2 1/2	46	70	321	180	200	130	4-14	145	4-18	145	4-18
80	3	46	83	346	180	200	150	4-18	160	8-18	160	8-18
100	4	52	105	387	180	200	170	4-18	180	8-18	180	8-18
125	5	56	115	411	180	200	200	8-18	210	8-18	210	8-18
150	6	56	137	447	270	280	225	8-18	240	8-22	240	8-22
200	8	60	164	572	270	280	280	8-18	295	8-22	295	12-22
250	10	68	206	646	270	280	335	12-18	350	12-22	355	12-26
300	12	78	230	738	380	420	395	12-22	400	12-22	410	12-26
350	14	78	248	761	380	420	445	12-22	460	16-22	470	16-26
400	16	102	289	877	450	470	495	16-22	515	16-26	525	16-30
450	18	114	320	938	480	490	550	16-22	565	20-26	585	20-30
500	20	127	343	993	480	490	600	20-22	620	20-26	650	20-33
600	24	154	413	1131	480	490	705	20-26	725	20-30	770	24-36
700	28	165	478	1476	640	660	810	24-26	840	24-30	840	24-39
800	32	190	525	1533	640	660	920	24-30	950	24-33	950	28-39
900	36	203	585	1655	750	860	1020	24-30	1050	28-33	1050	28-42
1000	40	216	640	1765	850	900	1120	28-30	1160	28-36	1170	32-48
1200	48	254	755	1995	850	900	1340	32-33	1380	32-39	1390	36-48
1400	56	279	910	2310	1000	925	1560	36-36	1590	36-42	1590	40-56
1600	64	318	1030	2595	1000	925	1760	40-36	1820	40-48	1820	44-56
1800	72	356	1140	2810	1100	980	1970	44-39	2020	44-48	2020	48-62
2000	80	406	1250	3100	1100	980	2180	48-42	2230	48-48	2230	