

## Manual Gearbox Pnematic Operated PTFE Knife Gate Valve



### Product Description

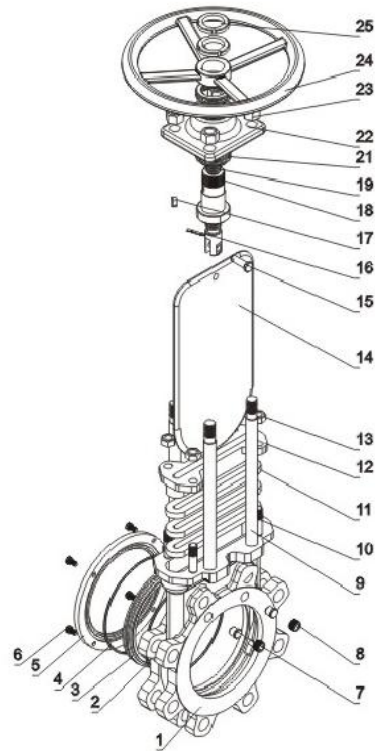
---

Buy the PN16 150lb manual gearbox pneumatic operated PTFE knife gate valve at a discount here with our professional manufacturers and suppliers in China. with the aid of advanced technology and equipment, we can assure you of its reliable performance and long durability.

#### Product features:

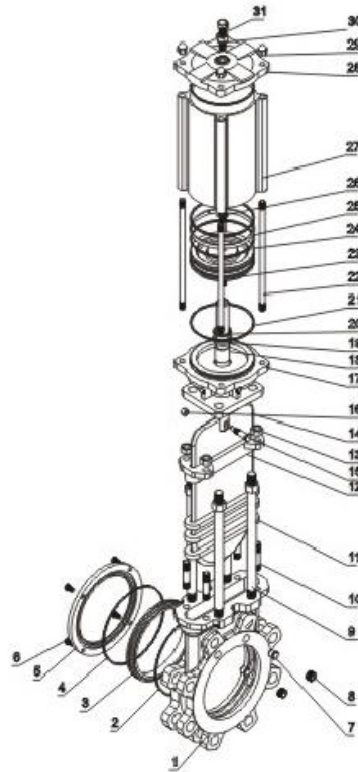
1. Integral body design, small flow resistance, smooth operation.
2. Stem drive is designed with 2 plane bearings, the driving friction is greatly reduced so making operation of valve becomes smooth and light.
3. Seat with movable sealing design and O-ring can provide a preloading force to push the seat sealing ring touching tightly with gate which can provide a self compensation to the sealing surface when it had been worn after long time in service, so its service life can be increased.
4. Fixed guide claw, without groove design, so medium is not easy to be accumulated and blocked.
5. Material of seat is selected according to the medium and service condition, choosing metal seal or soft seal. Metal seal with gate surface is coated with hard chromium, or Nitriding treatment, to increase its wear resistance. Soft seal will be with PTFE seat, or EPDM, NBR, which have good sealing performance and excellent corrosion resistance.
6. With excellent sealing performance and economical practicality, and its operation can be by manual, pneumatic or electric actuator, so its application is very wide.

Bill of material for knife gate valve with manual operation



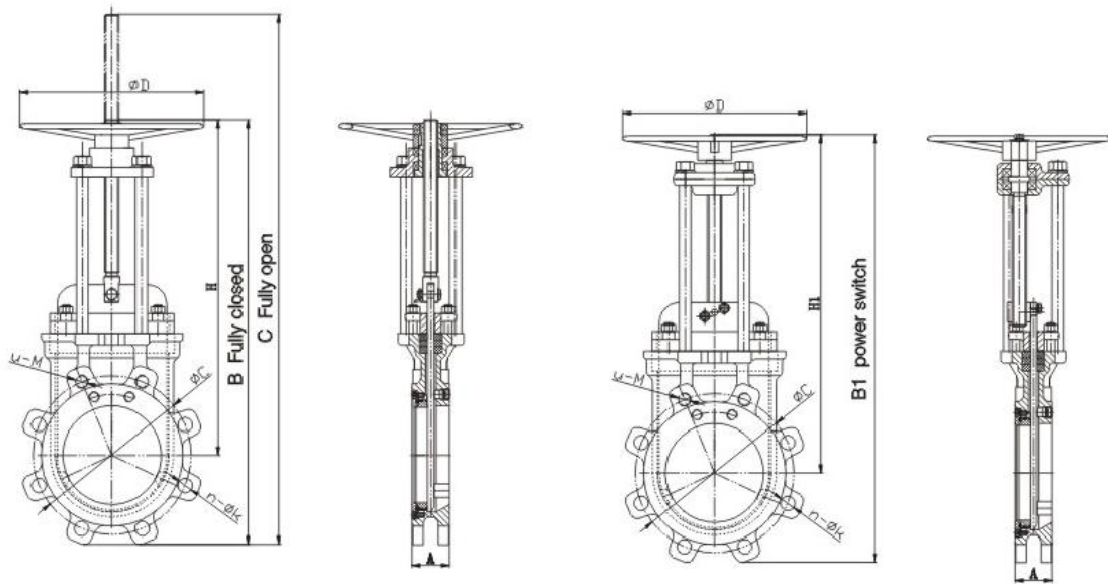
No.	Part name	Qty(PC)	Body ( WCB )	Body ( CF8 )	Body ( CF8M )
1	Body	1	WCB	CF8	CF8M
2	Seat	1	20Cr13	304	316
3	O-ring	1	NBR	NBR	NBR
4	O-ring	1	NBR	NBR	NBR
5	Seat retainer	1	WCB	CF8	CF8M
6	Screw	4	35	304	316
7	Guide pole	2	PTFE	PTFE	PTFE
8	Screw	2	35	304	316
9	Bonnet poles	4	45 Chromium plated	45 Chromium plated	45Chromium plated
10	Bolt	4	35	304	304
11	Stern packing	3	PTFE	PTFE	PTFE
12	Gland flange	1	WCB	CF8	CF8M
13	Nut	4	15	304	304
14	Gate	1	20Cr13	304	316
15	Straight pin	1	45	45	45
16	Split pin	1	Stainless steel	Stainless steel	Stainless steel
17	Flat Key	1	45	45	45
18	Stem nut	1	Brass	Brass	Brass
19	Stem	1	2Cr13	2Cr13	2Cr13
21	Bearing	2	Bearing steel	Bearing steel	Bearing steel
22	Bearing seat	1	WCB	Cast steel	Cast steel
23	Nut	4	45	45	45
24	Handwheel	1	Ductile iron	Ductile iron	Ductile iron
25	Round nut	2	45	45	45

Bill of material for knife gate valve with pneumatic operation



NO.	Part name	Qty(PC)	Body ( WCB )	Body ( CF8 )	Body ( CF8M )
1	Body	1	WCB	CF8	CF8M
2	Seat	1	20Cr13	304	316
3	O-ring	1	NBR	NBR	NBR
4	O-ring	1	NBR	NBR	NBR
5	Seat	1	WCB	CF8	CF8M
6	Screw	4	35	304	316
7	Guide pole	2	PTFE	PTFE	PTFE
8	Screw	2	35	304	316
9	Bonnet poles	4	45+Chromium plated	45+Chromium plated	45+Chromium plated
10	Bolt	4	35	304	304
11	Stem packing	3	PTFE	PTFE	PTFE
12	Gland flange	1	WCB	CF8	CF8M
13	Nut	4	15	304	304
14	Gate	1	20Cr13	304	316
15	Straight pin	1	45	45	45
16	Nut	1	15	15	30
17	Lower cover	1	WCB/Q235	WCB/Q235	WCB/Q235
18	Bearing	2	Bearing steel	Bearing steel	Bearing steel
19	Y-ring	1	PU	PU	PU
20	Snap ring	1	25Mn	25Mn	25Mn
21	O-ring	1	NBR	NBR	NBR
22	Tie rods	4	Q235	Q235	Q235
23	Piston	1	Q235/WCB	Q235/WCB	Q235/WCB
24	O-ring	1	NBR	NBR	NBR
25	Guide ring	1	PTFE	PTFE	PTFE
26	Bolt	1	35	35	35
27	Cylinder	1	Aluminum/Q235	Aluminum/Q235	Aluminum/Q235
28	Upper Cover	1	WCB/Q235	WCB/Q235	WCB/Q235
29	Nut	4	15	15	15
30	Washer	1	PTFE	PTFE	PTFE
31	Adjusted screw	1	35	35	35

Knife gate valve with manual operation

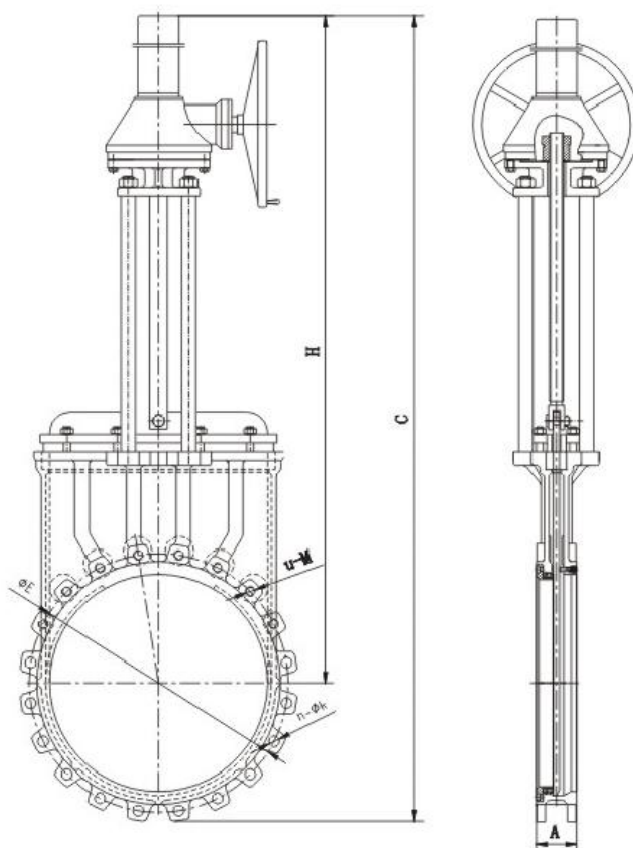


Outside screw rising stem type

Inside screw nonrising stem type

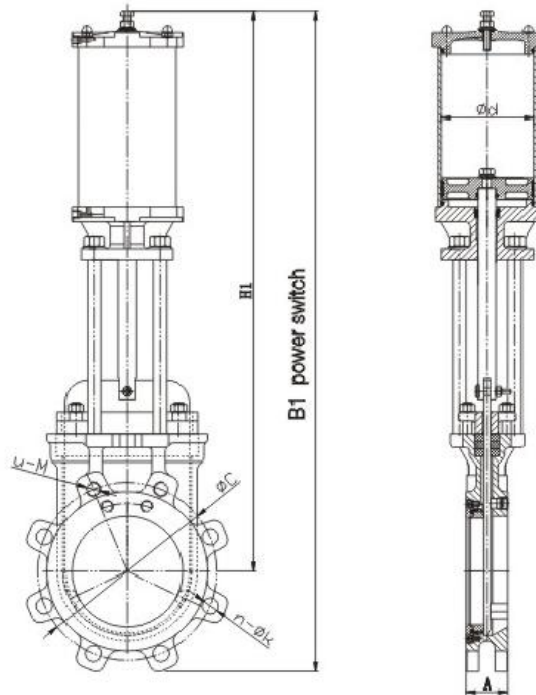
DN	A	H	B	C	D	H1	B1	PN16			150Lb	
								E	n-φK	u-M	E	u-M
50	48	300	365	350	180	310	375	φ 125	2-φ 18	2-M16	φ 120.5	4-5/8-11NC
65	48	310	380	375	200	320	390	φ 145	2-φ 18	2-M16	φ 139.5	4-5/8-11NC
80	51	370	460	450	220	380	470	φ 160	6-φ 18	2-M16	φ 152.5	4-5/8-11NC
100	51	410	514	625	240	402	510	φ 180	6-φ 18	2-M16	φ 190.5	8-5/8-11NC
125	57	457	578	715	260	461	582	φ 210	6-φ 18	2-M16	φ 216	8-3/4-10NC
150	57	510	645	805	280	514	650	φ 240	6-φ 22	2-M20	φ 241.5	8-3/4-10NC
200	70	613	775	985	300	623	785	φ 295	8-φ 22	4-M20	φ 298.5	8-3/4-10NC
250	70	737	940	1200	340	737	940	φ 355	8-φ 26	4-M24	φ 362	12-7/8-9NC
300	76	850	1075	1385	380	845	1070	φ 410	8-φ 26	4-M24	φ 432	12-7/8-9NC
350	76	970	1228	1580	400	970	1228	φ 470	10-φ 26	6-M24	φ 476.3	12-1-8NC
400	89	1090	1382	1795	450	1090	1382	φ 525	10-φ 30	6-M27	φ 540	16-1-8NC

### Knife gate valve with gearbox operation



DN	A	H	C	PN16			150Lb	
				E	n-φK	u-M	E	u-M
200	70	885	1060	φ 295	8-φ 22	4-M20	φ 298.5	8-3/4-10NC
250	70	1000	1280	φ 355	8-φ 26	4-M24	φ 362	12-7/8-9NC
300	76	1250	1460	φ 410	8-φ 26	4-M24	φ 432	12-7/8-9NC
350	76	1390	1610	φ 470	10-φ 26	6-M24	φ 476.3	12-1-8NC
400	89	1570	1850	φ 525	10-φ 30	6-M27	φ 540	16-1-8NC
450	89	1770	2070	φ 585	12-φ 30	8-M27	φ 578	16-1 1/8-7NC
500	114	1900	2240	φ 650	12-φ 33	8-M30	φ 635	20-1 1/8-7NC
600	114	2180	2540	φ 770	12-φ 36	8-M33	φ 749.3	20-1 1/4-6NC

### Knife gate valve with pneumatic actuator



DN	A	H1	B1	$\phi d$	PN16			150Lb	
					C	n- $\phi K$	u-M	C	u-M
50	48	460	520	80	$\phi 125$	2- $\phi 18$	2-M16	$\phi 120.5$	4-5/8-11NC
65	48	530	595	80	$\phi 145$	2- $\phi 18$	2-M16	$\phi 139.5$	4-5/8-11NC
80	51	550	650	100	$\phi 160$	6- $\phi 18$	2-M16	$\phi 152.5$	4-5/8-11NC
100	51	610	715	100	$\phi 180$	6- $\phi 18$	2-M16	$\phi 190.5$	8-5/8-11NC
125	57	675	795	125	$\phi 210$	6- $\phi 18$	2-M16	$\phi 216$	8-3/4-10NC
150	57	760	890	125	$\phi 240$	6- $\phi 22$	2-M20	$\phi 241.5$	8-3/4-10NC
200	70	950	1115	160	$\phi 295$	8- $\phi 22$	4-M20	$\phi 298.5$	8-3/4-10NC
250	70	1135	1340	200	$\phi 355$	8- $\phi 26$	4-M24	$\phi 362$	12-7/8-9NC
300	76	1320	1545	250	$\phi 410$	8- $\phi 26$	4-M24	$\phi 432$	12-7/8-9NC
350	76	1500	1750	300	$\phi 470$	10- $\phi 26$	6-M24	$\phi 476.3$	12-1-8NC
400	89	1670	1925	300	$\phi 525$	10- $\phi 30$	6-M27	$\phi 540$	16-1-8NC
450	89	1860	2170	320	$\phi 585$	12- $\phi 30$	8-M27	$\phi 578$	16-1 1/8-7NC
500	114	2020	2380	350	$\phi 650$	12- $\phi 33$	8-M30	$\phi 635$	20-1 1/8-7NC
600	114	2290	2680	350	$\phi 770$	12- $\phi 36$	8-M33	$\phi 749.3$	20-1 1/4-6NC