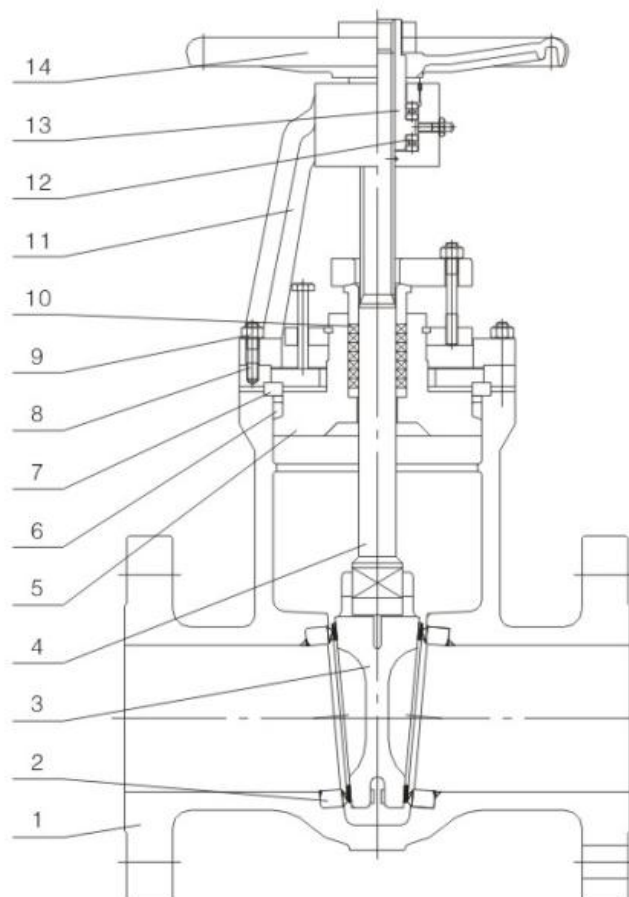


Cast Steel Gate Valve



Product Description

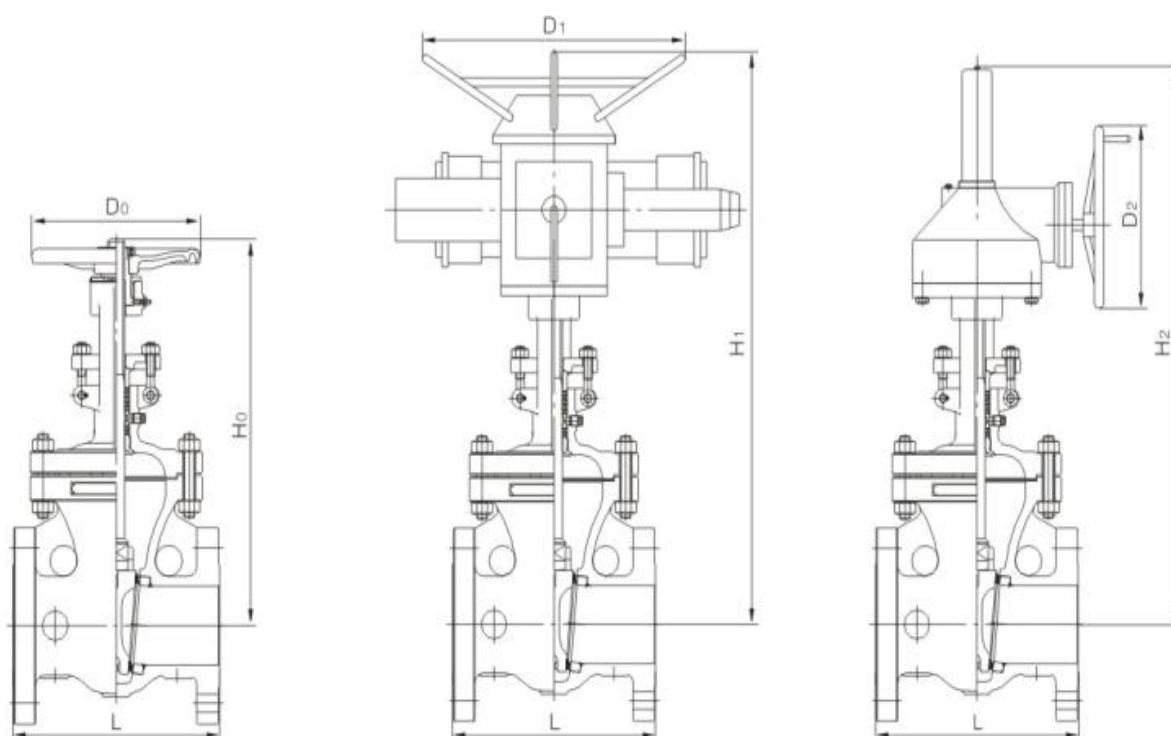
Buy the Gb Standard WCB DN200 Cast Steel PN16 Gate Valve at a discount here with our professional manufacturers and suppliers in China. with the aid of advanced technology and equipment, we can assure you of its reliable performance and long durability.



Technical specification

Structural formation	Pressure sealed bonnet outside stem yoke structure
Driving manner	Hand-operated, Gear-operated and Electric-driving
Design standard	GB/T 12234
Face to face	GB/T 12221
Flanged ends	GB/T 9113、JB/T 79、HG20592
Test & inspection	GB/T 13927、JB/T 9092

Note: The sizes of valve connecting flange and butt-welding terminas can be designed according to customer's requirement.



Main size of outside & weight

Model: Z41H, Z41Y, Z541H, Z541Y, Z941H, Z941Y

PN (MPa)	Driving		Hand operated			Electric driving				Gear operated			
	DN (mm)	L	H ₀	D ₀	Weight (kg)	H ₁	D ₁	Electric driving	Weight (kg)	H ₂	D ₂	Gear device	Weight (kg)
1.6	15	130	170	120	5	-	-	-	-	-	-	-	-
	20	150	190	140	6.5	-	-	-	-	-	-	-	-
	25	160	205	160	9	-	-	-	-	-	-	-	-
	32	180	270	180	12	-	-	-	-	-	-	-	-
	40	200	310	200	26.5	630	590	DZW10A	87.5	-	-	-	-
	50	250	358	240	29	678	590	DZW10A	90	-	-	-	-
	65	265	373	240	33	693	590	DZW15A	96	-	-	-	-
	80	280	435	280	45	755	590	DZW20A	108	-	-	-	-
	100	300	500	300	62	820	590	DZW20A	126	-	-	-	-
	125	325	614	320	106	934	590	DZW30A	173	-	-	-	-
	150	350	674	360	135	994	590	DZW30A	199	-	-	-	-
	200	400	818	400	193	1138	590	DZW30A	254	-	-	-	-
	250	450	969	450	273	1409	810	DZW45A	310	-	-	-	-
	300	500	1145	560	380	1588	810	DZW60A	391	1310	310	BA-0	504
	350	550	1280	640	590	1755	830	DZW90	729	1468	310	BA-0	674
	400	600	1452	640	850	1902	830	DZW120	992	1780	460	BA-1	950
	450	650	1541	720	910	2141	870	DZW180	1168	1880	460	BA-1	1300
	500	700	1676	720	960	2276	870	DZW250	1222	2110	460	BA-2	1530
	600	800	1874	800	1115	2474	870	DZW250	1376	2410	460	BA-2	2140
700	900	-	-	-	3046	1170	DZW350	-	2600	460	BA-2	3270	
800	1000	-	-	-	3250	1170	DZW500	-	2860	610	BAA-3	3920	
900	1100	-	-	-	3509	1060	DZW800	-	3170	610	BAA-3	4435	
1000	1200	-	-	-	3873	1060	DZW1000	-	-	-	-	-	

Main size of outside & weight

Model: Z41H, Z41Y, Z541H, Z541Y, Z941H, Z941Y

PN (MPa)	Driving		Hand operated			Electric driving				Gear operated			
	DN (mm)	L	H ₀	D ₀	Weight (kg)	H ₁	D ₁	Electric driving	Weight (kg)	H ₂	D ₂	Gear device	Weight (kg)
2.5	15	130	170	120	5.5	-	-	-	-	-	-	-	-
	20	150	190	140	7	-	-	-	-	-	-	-	-
	25	160	205	160	11	-	-	-	-	-	-	-	-
	32	180	270	180	14	-	-	-	-	-	-	-	-
	40	200	310	200	30	630	590	DZW10A	91	-	-	-	-
	50	250	358	240	34	678	590	DZW10A	95	-	-	-	-
	65	265	373	240	36	693	590	DZW15A	99	-	-	-	-
	80	280	435	280	50	755	590	DZW20A	113	-	-	-	-
	100	300	500	300	69	820	590	DZW20A	132	-	-	-	-
	125	325	614	320	116	934	590	DZW30A	181	-	-	-	-
	150	350	674	360	141	994	590	DZW30A	206	-	-	-	-
	200	400	818	400	192	1138	590	DZW30A	257	-	-	-	-
	250	450	969	450	207	1409	810	DZW45A	317	-	-	-	-
	300	500	1145	560	400	1588	810	DZW60A	412	1310	310	BA-0	504
	350	550	1280	640	631	1755	830	DZW90	750	1468	310	BA-0	674
	400	600	1452	640	900	1902	830	DZW120	1042	1780	460	BA-1	950
	450	650	1541	720	1013	2141	870	DZW180	1274	1880	460	BA-1	1300
	500	700	1676	720	1166	2276	870	DZW250	1420	2110	460	BA-2	1530
	600	800	1874	800	1258	2474	870	DZW250	1522	2410	460	BA-2	2140
700	900	-	-	-	3046	1170	DZW350	-	2600	460	BA-2	3275	
800	1000	-	-	-	3250	1170	DZW500	-	2860	610	BAA-3	3924	
900	1100	-	-	-	3509	1060	DZW800	-	3170	610	BAA-3	4435	
1000	1200	-	-	-	3873	1060	DZW1000	-	-	-	-	-	