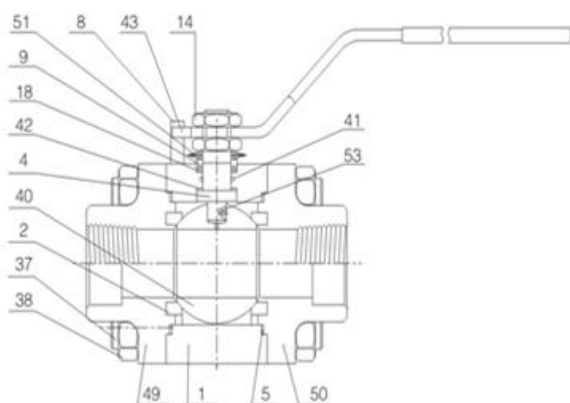


## 3PC Forged Steel Ball Valve



### Product Description

Application standards: 1. Design and manufacture conform to:BS5351 2. Connection ends conform to ANSI B16.11; JB/T1751 1) Screw ends dimension conform to ANSI B1.20.1; JB/T12224 2) Screw ends dimension conform to ANSI B1.20.1; JB/T7360 3) Test and inspection conform to ANSI B16.25



### Carbon steel temperature–pressure rate

CL150–285 P.S.I @100° F  
 CL300–740 P.S.I @100° F  
 CL600–1480 P.S.I @100° F  
 CL800–1975 P.S.I @100° F  
 CL1500–3705 P.S.I @100° F

### Application standards

- 1、 Design and manufacture conform to:  
BS5351
- 2、 Connection ends conform to:
  - 1) Screw ends dimension conform to  
ANSI B16.11; JB/T1751
  - 2) Screw ends dimension conform to  
ANSI B1.20.1; JB/T7306
  - 3) Test and inspection conform to  
ANSI B16.25; JB/T12224
  - 4) Structure features:  
ANSI B16.5; JB79
- 3、 Test and inspection conform to:  
API598; GB/T13927; JB/T9092
- 4、 Structure features:  
Bolted bonnet; three–piece;
- 5、 Materials conform to ANSI/ASTM
- 6、 Main materials: A105; LF2; F5; F11;  
F22; 304(L); 316(L); F347; F321; F51; Monel; 20合金等。

### Main part materials list

NO.	Part name	A105/F6a	LF2/304	F304(L)/304(L)	F316(L)/316(L)	F51/F51
1	Body	A105	LF2	F304(L)	F316(L)	F51
2	Seat	RPTFE或PEEK	RPTFE或PEEK	RPTFE或PEEK	RPTFE或PEEK	RPTFE或PEEK
4	Stem	410	304	304(L)	316(L)	F51
5	Gasket	PTFE	PTFE	PTFE	PTFE	PTFE
8	Pin	25	304	304	304	304
9	Gland	410	304	304(L)	316(L)	F51
14	Flat nut	8	8	8	8M	8M
18	Packing	PTFE	PTFE	PTFE	PTFE	PTFE
37	Bolt	B7	B8	B8	B8M	B8M
38	Nut	2H	8	8	8M	8M
40	Ball	F6	F304	F304(L)	F316(L)	F51
41	O–ring	VITON	VITON	VITON	VITON	VITON
42	Back seat gasket	RPTFE或PEEK	RPTFE或PEEK	RPTFE或PEEK	RPTFE或PEEK	RPTFE或PEEK
43	Wrench	ANSI 1025	ANSI 1025	ANSI 1025	ANSI 1025	ANSI 1025
49	Left bonnet	A105	LF2	F304	F316	F51
50	Right bonnet	A105	LF2	F304	F316	F51
51	Butterfly spring	65Mn	65Mn	304	304	304
52	Elastic washer	65Mn	65Mn	304	304	304
53	Anti–static spring	304	304	304	316L	316L

**CL800–CL1500** Connection ends may be pipe-welded (butt-welding or socket welding) and/or threaded, design to BS5351

Specification (NPS)	F.P	1/4	3/8	1/2	3/4	1	1 1/4	1 1/2	2	
Face to face(mm)	L	75	75	85	100	115	130	150	180	
Center to handle end (mm)	B	108	108	108	146	178	178	200	200	
Height(mm)	H	51	51	51	108	81	85	105	105	
Height (andle dinmensions) (mm)	d	CL800	6	9	13	18	23	28	35	49
		CL1500	6	9	13	19	25	32	38	49

**CL1500** Connection ends may be pipe-welded (butt-welding or socket welding) and/or threaded, design to BS5351

Specification (NPS)	F.P	1/4	3/8	1/2	3/4	1	1 1/4	1 1/2	2	
Face to face(mm)	L	85	85	100	120	135	160	185	220	
Center to handle end (mm)	B	108	108	108	146	178	178	200	200	
Height(mm)	H	51	51	51	108	81	85	105	105	
Height (andle dinmensions) (mm)	d	CL800	6	9	13	18	23	28	35	49
		CL1500	6	9	13	19	25	32	38	49